

Dorland Intrinsically Safe Noise Cancelling Bluetooth Earphones



Ex_headset01

Product overview

Function	Operation
Boot	Long press the "on/off" key (⏻) for 3 seconds until the blue light is on.
Shutdown	Long press the "on/off" key (⏻) for 5 seconds until the blue light is on.
Pairing	Long press the "on/off" key (⏻) and the bluetooth light flashes red and blue to enter the pairing mode.
Empty pairing	Long press the "on/off" key (⏻) for 10 seconds until bluetooth light flashes red and blue twice, then turn off.
Call	Press the "on/off" key (⏻) twice to answer the phone.
	After answering, press the "on/off" key (⏻) once and hang up the phone.
	Long press the "on/off" key (⏻) for 1 second to refuse to answer the call.
	During the conversation, long press the "on/off" key (⏻) for 1 second and the bluetooth indicator flashes bluetooth to realize the switch between the headset and the phone.
Volume control	Press the (+) key to increase the volume; Press the (-) key to decrease the volume.
	Long press the (+) key for 1 second, switch to the previous one; Long press the (-) key for 1 second, switch to the next one.
Play/pause	When playing music, press the "on/off" key (⏻) once, pause the music, and press again to play the music.

Basic operation

Noise reduction mode

- 1) long press the noise reduction button until the indicator light is bright and white, and the noise reduction is turned on;
- 2) long press the noise reduction button until the color of the indicator disappears and the noise reduction is turned off.

Listening mode

First, make sure the noise reduction is turned on.

- 1) activate the monitoring mode, press the noise reduction key, and the indicator light flashes white quickly;
 - 2) turn off the monitoring mode, press the noise reduction key, and the indicator continues to show white;
- Ps:the listening mode picks up and amplifies the sound frequencies in your environment, allowing you to hear the sounds around you and even have conversations in a noisy environment without taking off your headphones.

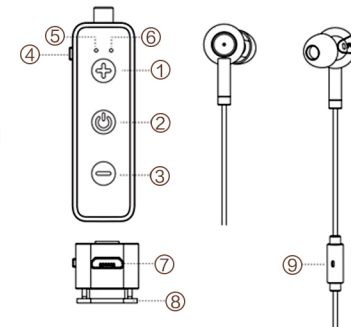
Siri mode

First, make sure the noise reduction is turned on.

Press the "on/off" key (⏻) 3 times until the bluetooth light flashes blue quickly

Product diagram

1. Volume +/ last song
2. Power on/off
3. Volume -/ next song
4. Noise reduction switch/monit
5. Noise reduction LED indicatc
6. Bluetooth LED indicator
7. Charging port
8. Clip
9. Microphone



Question and answer

1) what is active noise reduction?

The ANC stands for "active noise cancellation" - a feature designed to remove noise from the environment and allow you to enjoy music without interruption while working, travelling or relaxing. It is most effective at reducing low-frequency noise, such as from an aircraft engine or a large group of people (frequencies range from 20hz-800hz).

2) why can you still hear noise after noise reduction?

Active noise reduction features the best reduction of constant/stable low frequency sound. Sudden, irregular sounds, such as Shouting or honking, are not effectively eliminated.

3) is the listening mode a listening aid?

No, "ambient mode" is not a hearing aid. It is designed to improve the average person's ability to hear conversation in a noisy environment.

Safety Instructions

Ordinary headset are forbidden in explosion hazardous areas where explosions may happen. Such areas include: fuel areas (such as below deck of a ship, fuel or chemical products transportation and storage facilities), locations where the air containing chemicals or particles (such as granule, dust or metal powders) such as gas stations, oil storage tanks. Developed by Beijing Dorland System Control Technology Co., LTD. the intrinsically safe noise cancelling bluetooth earphones Ex_headset01 has been tested and certified by explosion-proof certification body of China and can meet the requirement of GB3836.1-2010 "explosive atmospheres - Part 1: Equipment-General requirements" and GB3836.4-2010 "explosive atmospheres-Part 4:equipment protection by intrinsic safety 'I'". It is suitable for Zone 1 and Zone 2 explosion hazardous areas.

Basic parameters

Explosion-proof grade:Ex ib IIC T4 Gb
Certification No.: CCR1 19.2277

Safety Warning

Safety performance of the product can be guaranteed only in strict accordance with the instructions in this section.Please read the instruction carefully before using.If you have any questions,please contact the manufacturer immediately.

Safety Rules

Safety performance of the intrinsically safe noise cancelling bluetooth earphones Ex_headset01 is under the premise that the users obey the following rules.

- a) The battery for Ex_headset01 is made by the manufacturer specializing in the production of batteries. Only the original battery meets the intrinsically safety requirements. Any other non original batteries will result in the loss of explosion-proof performance of the phone. Please make sure to use the original battery.For battery replacement, please contact Beijing Dorland System Control Tech Co.,LTD.The battery for Ex_headset01 is Ex Battery 029 120mAh explosion-proof polymer battery.
- b) Please use the original charger when recharging battery, and make sure in the safe areas.The maximum charge voltage is 4.2V.
- c) Don't replace battery for Ex_headset01 in explosion hazardous areas.
- d) Ex_headset01 can not be used in explosion danger zone 0.
- e) Don't use headset, data cable plug devices in the explosion hazardous areas.
- f) Please keep away from high-temperature region when using Ex_headset01.

Failure and damage processing

If safety performance of intrinsically safe noise cancelling bluetooth earphones Ex_headset01 has lost, please stop using in explosion hazardous areas. Please ship the failure phones back to the manufacturer for testing.

Situations that may cause failure of unicorn8 explosion-proof performance include the following ones:

- ※ Casing damage;
- ※ Storage place does not meet the storage conditions;
- ※ Damaged during transport;
- ※ Explosion-Proof mark is unrecognized;
- ※ Other functions fail.

Product parameters

Bluetooth version: 5.0
Bluetooth chip: BES2000IS, SOC
Support Agreement: A2DP, AVRCP, HFP, SBC, HSP
Noise reduction performance: 95% (up to 26db)
Bluetooth range: ≥10m
Input impedance: 16Ω ± 15%
Battery capacity: 120mAh
Ex Battery: Lithium ion polymer battery
Charging time: 1-1.5hours
Standby time: 100 hours
Noise reduction work time: 15hours
Bluetooth working hours: 7hours
Bluetooth + noise reduction working time: 5hours
Music duration: 6hours
Product size: 4.7*1.9*1.9cm
Weight: 21g
Wearing method: earphone (depending on the ear canal size of different people, choose the appropriate earplug)



Dorland Website

Beijing Dorland System Control Technology Co., Ltd.
Add: Room1107, Tower B, Tsinghua Tongfang Technology
Square, No.1 Wangzhuang Road, Haidian District,
Beijing, P.R.China
Sales Hotline: +86-10-62164681 / 62198496
Service Hotline: +86-10-62985217
Mobilephone: +8613910650041
Website: www.dorland-tech.com
E-mail: tian@dorland.com.cn
PostCode: 100083