

Quick Guide



**Xtalki06\_5G**  
5G + DMR

Safety Instructions

Ordinary mobile phones can not meet the explosion-proof requirements in dangerous places, so they are not allowed to be used in dangerous places that may cause explosion. The areas that may cause explosion include: fuel area (such as under the deck of a ship, transportation and storage facilities for fuel or chemical products), places with chemical substances or particles (such as particles, dust or metal powder) in the air, such as gas stations, oil depots, etc.

The Industrial Intrinsically Safe Smartphone Xtalki06\_5G produced by Beijing Dorland has been certified by the national explosion-proof certification authority, and meets the requirements of GB3836.1-2010 explosive environment Part 1: General requirements for equipment, GB3836.4-2010 explosive environment Part 4: equipment protected by intrinsically safe "i" and GB12476.1-2013 electrical equipment for combustible dust environment Part 1: General requirements and GB12476.4-2010 / IEC61241-11: 2005 electrical equipment for combustible dust environment Part 4: intrinsic safety "iD" standard requirements. It is suitable for zone 1, zone 2, zone 21 and zone 22 of explosion hazard field.

Basic parameters

Explosion-proof grade: Ex ib IIC T4 Gb / Ex ibD 21 T130°C  
Certification No.: CCR1 22.2214  
Protection grade: IP68

Safety Warning

Safety performance of Industrial Intrinsically Safe Smartphone Xtalki06\_5G can be guaranteed only in strict accordance with the instructions in this section. Please read the instruction carefully before using. If you have any questions, please contact the manufacturer immediately.

Safety Rules

Safety performance of Industrial Intrinsically Safe Smartphone Xtalki06\_5G base the users obey the following rules.

- a) The battery for Xtalki06\_5G is made by the manufacturer specializing in the production of batteries. Only the original battery meets the intrinsically safe requirements. Any other non-original batteries will result in the loss of phone explosion-proof performance. Please make sure to use the original battery. For battery replacement, please contact Beijing Dorland System Control Technology Co., LTD.. The battery for Xtalki06\_5G is Ex Battery 042 8000mAh explosion-proof polymer battery.
- b) Please use the original charger when recharge battery, and make sure in the safe areas. The maximum charge voltage is 4.35V.
- c) Don't replace battery for Xtalki06\_5G in explosion hazardous areas.
- d) Xtalki06\_5G can not be used in explosion danger zone 0.
- e) Don't use headset, data cable plug devices in the explosion hazardous areas.
- f) Don't use the flash function in explosion hazardous areas.
- g) Don't use the vibration function of the phone in explosion hazard areas.
- h) Please keep away the high-temperature region when using Xtalki06\_5G.

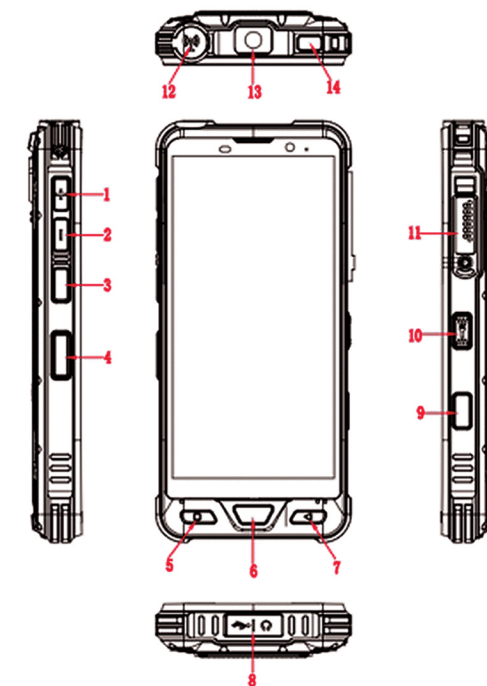
Failure and damage processing

If Xtalki06\_5G has lost its safety performance, please stop using in explosion hazardous areas, and ship the failure phones back to the manufacturer for testing.

Situations that may cause failure of Xtalki06\_5G explosion-proof performance include the following ones:

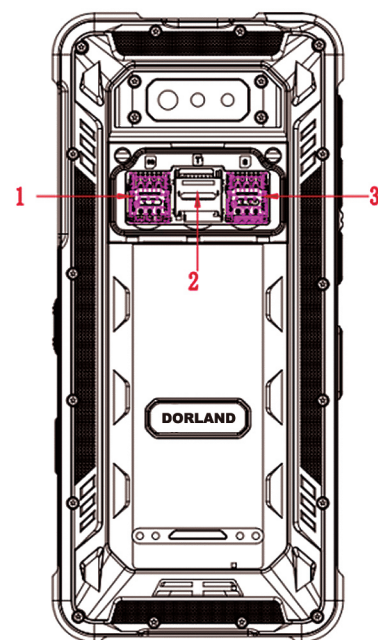
- The phone shell is damaged;
- Storage place does not meet the storage conditions;
- Damaged during transport;
- Explosion-Proof mark is unrecognized;
- Other functions fail.

Product view



- |                          |                                |                |
|--------------------------|--------------------------------|----------------|
| 1. Volume + key          | 7. Return key                  | 13. Flashlight |
| 2. Volume - key          | 8. Usb/ headset interface      | 14. SOS key    |
| 3. On / off key          | 9. FN key                      |                |
| 4. PTT key               | 10. Flashlight key             |                |
| 5. Menu key              | 11. M6 interface               |                |
| 6. Fingerprint /home key | 12. External antenna interface |                |

Product view



1. Public network card 2. Memory card 3. Satellite card

File transfer

Computer - mobile file transfer

The phone is connected to the computer via USB and will start charging automatically.

1. drag the notification panel down and click "USB charging for this device";
2. select "transfer file";
3. the computer identifies the device as a removable disk. Open the folder that appears on your computer and transfer the files from your phone to the computer.

Switch on and button

Key function

1. up / down: press the up key to increase the volume / press the key to decrease the volume.
2. power key: press once to lock or wake up the screen Press and hold for 2s to turn on / off.
3. receiver: when calling, you hear the other party's voice.
4. front camera: self photograph or shoot objects facing the mobile phone screen.
5. headphone interface: connect headphones, listen to music or radio, etc.
6. return key: return to the previous page.
7. menu key: switch to the most recent application.
8. key press: return to the main screen from any other interface.
9. USB interface: connect charger or USB cable to transmit data.
10. rear camera: take photos.
11. flash off: assist camera to take photos
12. Speaker: when the phone rings, play music or hands-free call.
13. microphone: to make a sound larger or to record.

Browser

Open browser

1. On the home screen, "browser"
2. Touch the input field at the top of the screen to enter the website address
3. Click the icon

Browser options

When browsing a web page, you can scroll to see the rest of the page.

- Touch the icon and select "save to bookmark" to add the current page as a bookmark.
- Touch the icon and select "bookmarks / history" to open a saved bookmark or a viewed page.
- Touch the icon and select "share page" to share the website with others.

Browser settings

On the browser interface, touch the icon, select "Settings" and operate the settings according to the instructions.

Note:

You must have a mobile data or Wi Fi connection to access the Internet.

Enjoy music

You can listen to music stored in your phone through the music player.

When you copy music files to your phone, the music player searches for them and generates a directory. Download the app in the play store

To download an application from the play store:

Enter "play store" - log into Google account - search for app and download.

## Telephone

Direct call

1. On the home screen, touch the phone icon to display the dialing keyboard.

2. Touch the number button to enter the phone number, and then click the icon to make a call.

Make a call from a contact

In the "phone" icon, touch "contact" to select the person to call, and tap the name to make a call

Note:

If you have inserted two SIM cards into the phone, two call icons will be displayed on the dialing interface. Select Sim1 or sim2 to make a call.

Reject a call by sending a message

When it is not convenient for you to answer a call, you can send a message to refuse to answer it. 1. In the call interface, drag the information icon

2. Click one of the senders and the phone will be cut off.

## Information

Send new message

Touch the "message" icon, enter the recipient's name or phone number, type in the text, and click send.

Receive new message

When a new message appears, an icon will appear in the notification bar to notify you. Slide down the status bar and click notification to read it. Or go to message and read the new message directly.

7

## Reset

Restore factory settings

You have to be careful with this step, because resetting the product will remove all assets

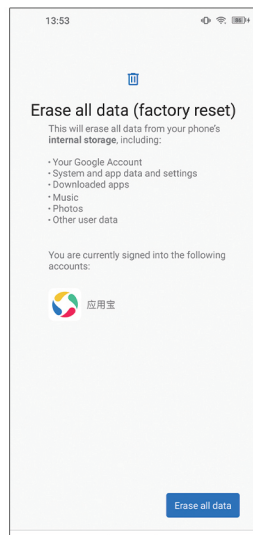
Material, including downloaded and installed applications. Reset will restore the product

To the initial state of the factory.

On the main menu interface, click Settings > system > Reset Options > clear all data

According to (restore factory settings) > clear all data > the phone will automatically shut down and reset

Enlightenment



11

## Add contacts

1. In the phone icon, touch contact - new contact

2. Fill in the new contact information and save it.

## Change wallpaper

There are three ways to personalize Wallpaper:

1. Press and hold any blank space on the screen and select wallpaper.

2. Click Settings > display > wallpaper > select Picture

3. Click Settings > display > wallpaper > album > select photo > set picture as wallpaper.

## Enjoy music

You can listen to music stored in your phone through the music player.

When you copy music files to your phone, the music player searches for them and generates a directory. Download the app in the play store

To download an application from the play store:

Enter "play store" - log into Google account - search for app and download.

## Manage applications

Settings - application. Clicking on any application to view information can also force the application to stop working or uninstall it.

8

## Precautions

● Please keep the product away from the magnetic equipment. The radiation of the product may erase the information stored on the magnetic equipment.

● Please do not place the product, battery and charger in appliances with strong electromagnetic field, such as induction cooker and microwave oven, otherwise it may cause circuit failure, fire or explosion.

● Do not place the product, battery and charger in high temperature area or low temperature area, otherwise it may cause the product, battery and charger failure, fire or explosion.

● When charging the battery, try to keep the ambient temperature between 0 °C and 40 °C. The working temperature of the battery is kept between - 20 °C and 60 °C. If the battery is placed in an overheated or supercooled area, the capacity and service life of the battery may be reduced. When the temperature is lower than 0 °C, the performance of the battery is especially limited.

● When the product touches the ear, please do not turn it on or off, so as not to affect human health.

● In order to comply with the RF leakage regulations, when you wear the product or use its data function, please keep the distance between the antenna and your body at least 1 inch (2.5cm).

● The signal interference of the product may affect the adjacent TV, radio or computer.

● Please comply with the international specification of RF radiation and use the product accessories specified by our company.

● When using this product, please abide by the relevant laws and regulations, and respect the privacy and legitimate rights of others.

12

## Using the touch screen

1. Click function: You can select an icon or option by using click function. Such as click phone icon to open the dialing pad on the main screen.

2. Click twice continuously: zoom in and out function. For example, when viewing a picture or web page, you can click twice continuously to enlarge or shrink the picture.

3. Long press function: You can long press the current user interface, icon or input fields for more operating options.

For example:

Long press an icon in the main menu, the icon will be moved to the home screen;

Long press the home screen space, the wallpaper can be changed.

## Android Tips

1. Screen Snapshots: If you want to capture a snapshot of the screen by a shortcut, please try to push the power key and the volume—button at the same time until you hear a click sound. After the operation is completed the image will be found in the phone gallery.

2. The power saving secrets of Android phones:

Turn off the unnecessary software process: long press HOME button, select the icon and slide left until it disappears;

Turn down screen brightness: If you always use your phone, you can turn down the brightness a bit, so you can extend the battery standby time;

Some settings (such as WLAN, GPS, and network data) can be turned off if not required. These functions will consume power if turned on.

9

● Before cleaning and maintenance, please turn it off. If it is still connected to the charger, you should unplug the charger from the power outlet, and disconnect charger and phone to avoid electric shock, short-circuit of battery or charger.

● Do not disassemble the phone. Only authorized institutions are allowed to repair this product.

## Safety warning

● Please turn it off before the phone is close high-precision control electronic equipment, or it may cause electronic equipment failure.

● Equipments will be influenced by the phone include: audiphones, pacemakers, fire alarms, automatic doors and other automatic control equipments. Users who are using electronic medical auxiliary equipment should confirm whether the radio wave will influence it or not with service center of the equipment.

● Pacemaker manufacturers recommend that the distance between the phone and a pacemaker should be kept at least 15 cm to avoid potential interference. Please do not carry the phone in your breast pocket; Please use the different side ear with pacemaker to answer calls to minimize the potential interference.

● Please do not bring the phone into the operating room, intensive care unit (ICU) or coronary care unit (CCU).

● In medical facilities where using mobile phones is prohibitive, please follow their instructions and regulations.

● Please pay attention to tone, volume, vibrate settings of the phone, so as not to influence heart disease patients.

● In inflammable and explosive areas, do not remove, install or charge the battery, so as not to cause explosion or fire.

13

## Lock/Unlock

Lock screen

Press the power key to lock the screen. The screen will automatically lock when it is not in use for a period of time. Unlock screen

1. Press the power button to light up the screen

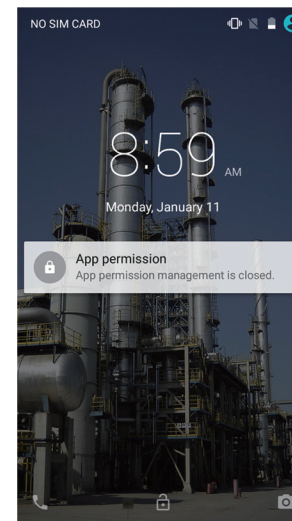
2. Slide up from the bottom of the screen to unlock the screen.

Change the screen lock

1. On the home screen, select Settings > Security and privacy > screen lock

2. Select the screen locking method. Notification panel

The notification icon reports new messages, calendar events, alerts, etc. in the status bar. You can open data connection, WLAN, Bluetooth, etc.



10



Enterprise Website

Beijing Dorland System Control Technology Co., Ltd.  
Add: Room1107, Tower B, Tsinghua Tongfang Technology Square,  
No.1 Wangzhuang Road, Haidian District, Beijing, P.R.China  
Sales Hotline: +86-10-62164681 / 62198496  
Service Hotline: +86-10-62985217  
Mobliphone: +8613910650041  
Website: www.dorland-tech.cn  
E-mail: tian@dorland.com.cn  
PostCode: 100083

14