



US00D864285S

(12) **United States Design Patent**
Liang

(10) **Patent No.:** **US D864,285 S**

(45) **Date of Patent:** **** Oct. 22, 2019**

(54) **GOGGLES**

(71) Applicant: **Chuanqing Liang**, Guangzhou (CN)

(72) Inventor: **Chuanqing Liang**, Guangzhou (CN)

(**) Term: **15 Years**

(21) Appl. No.: **29/614,449**

(22) Filed: **Aug. 18, 2017**

(51) **LOC (12) Cl.** **16-06**

(52) **U.S. Cl.**
USPC **D16/313; D16/319**

(58) **Field of Classification Search**
USPC D16/100-101, 300-329, 330, 332-342;
D29/107, 110
CPC A61F 9/02; A61F 2009/021; G02C 1/02;
G02C 1/04; G02C 5/12
See application file for complete search history.

(56) **References Cited**

U.S. PATENT DOCUMENTS

D559,299 S *	1/2008	Tabacchi	D16/303
D608,816 S *	1/2010	Wang-Lee	D16/312
D626,582 S *	11/2010	Cheng	D16/326
D653,695 S *	2/2012	Tobia	D16/312
D680,576 S *	4/2013	Chen	D16/312

D711,961 S *	8/2014	Arnette	D16/312
D714,378 S *	9/2014	Sandor	D16/313
D717,851 S *	11/2014	Arnette	D16/101
D718,369 S *	11/2014	Janavicius	D16/312
D747,758 S *	1/2016	Lee	D16/312
D785,699 S *	5/2017	Chen	D16/312
D834,087 S *	11/2018	Yoo	D16/313
2014/0033408 A1*	2/2014	Currens	A61F 9/025 2/431

* cited by examiner

Primary Examiner — Cathron C Brooks

Assistant Examiner — Sharon S Oum

(74) *Attorney, Agent, or Firm* — KA Filing LLC; Wayne V. Harper

(57) **CLAIM**

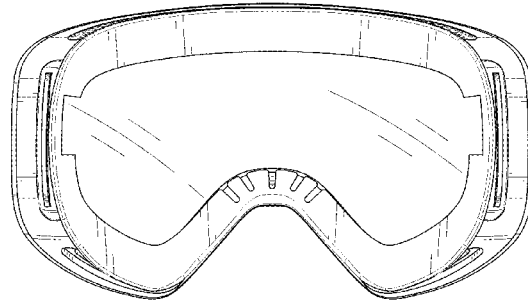
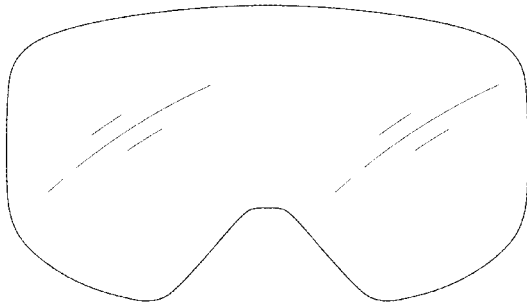
The ornamental design for goggles, as shown and described.

DESCRIPTION

FIG. 1 is a front view of goggles showing my new design; FIG. 2 is a back view thereof; FIG. 3 is a left side view thereof; FIG. 4 is a right side view thereof; FIG. 5 is a top view thereof; and, FIG. 6 is a bottom view thereof.

The broken lines illustrate portions of the goggles that form no part of the claimed design.

1 Claim, 6 Drawing Sheets



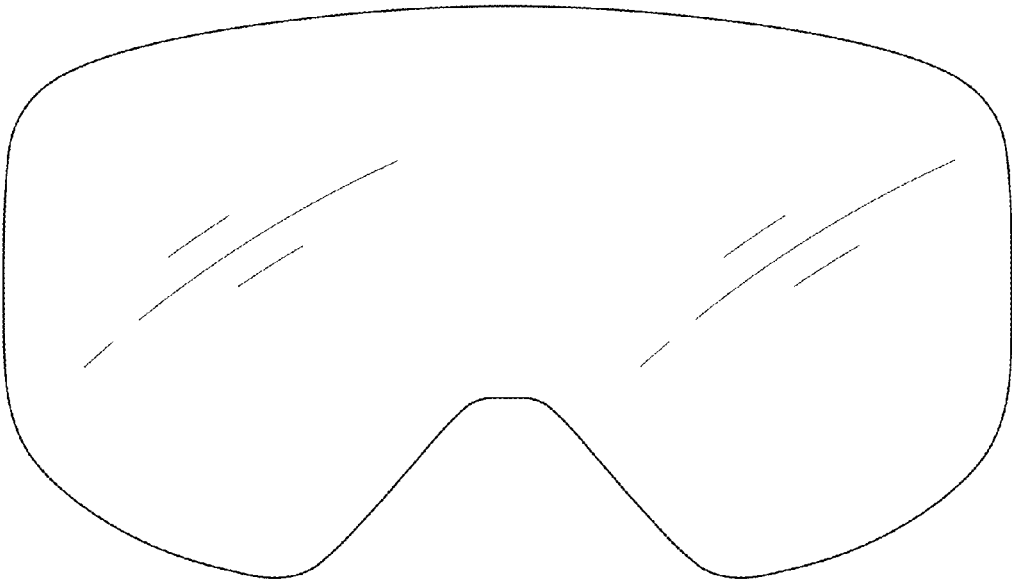


FIG. 1

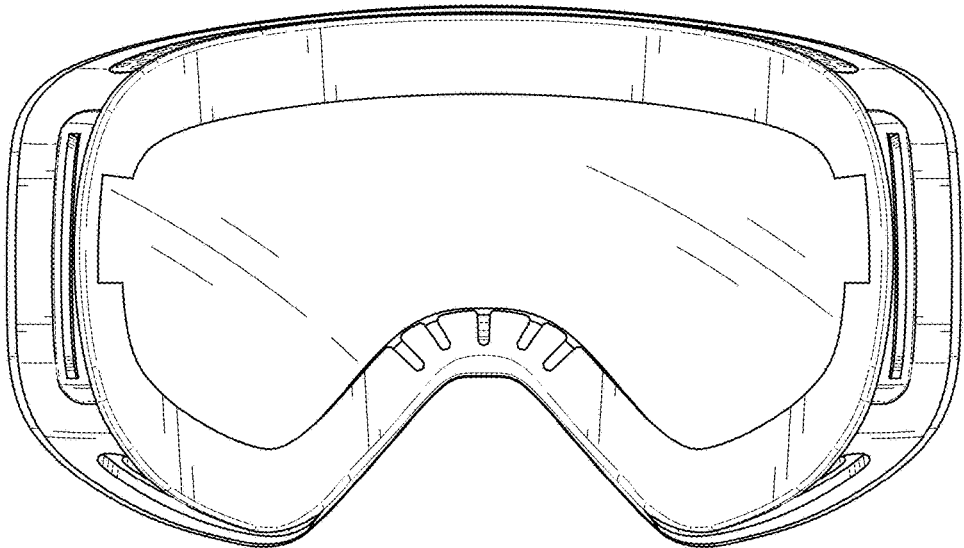


FIG. 2

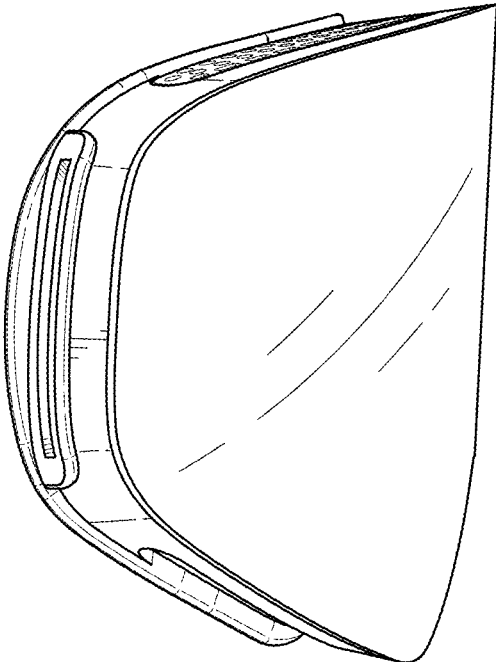


FIG. 3

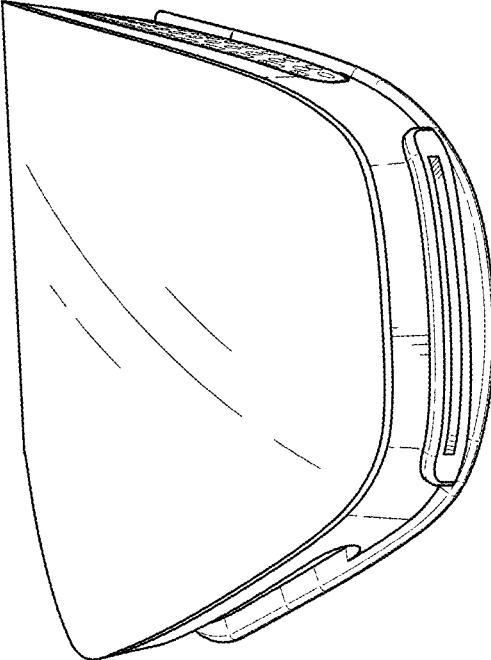


FIG. 4

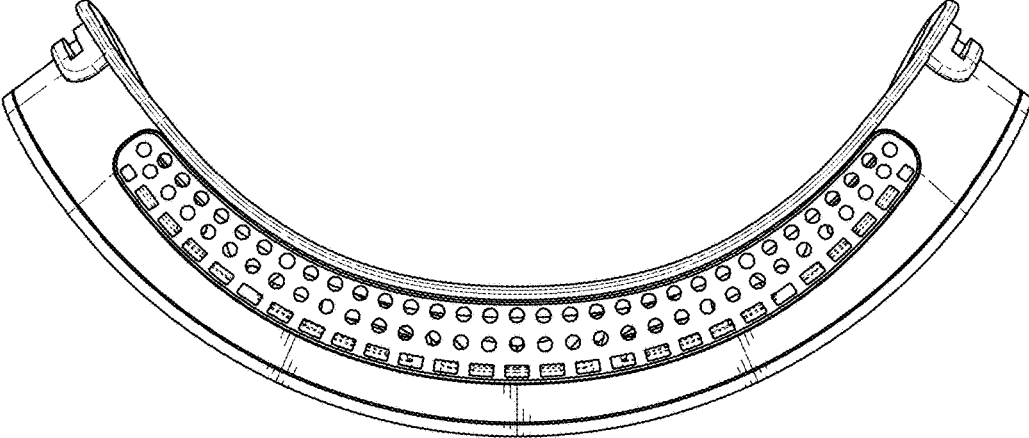


FIG. 5

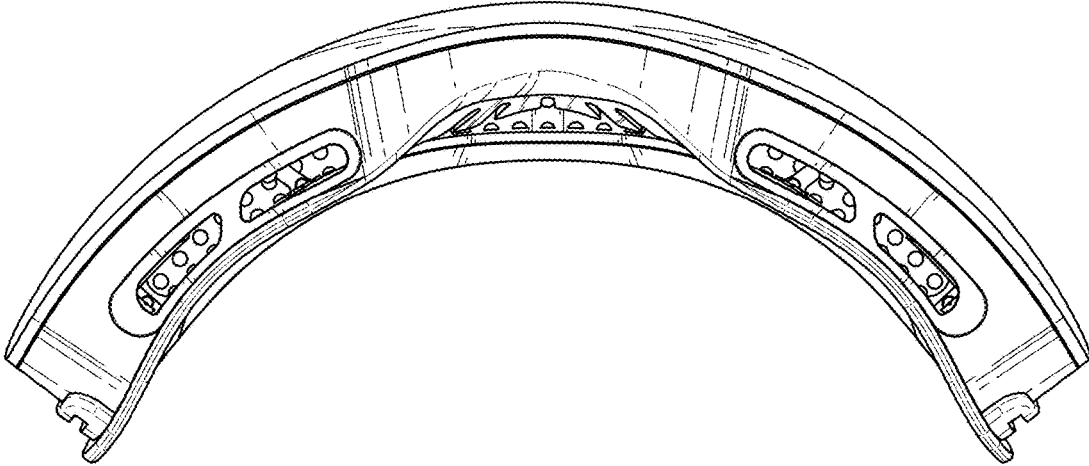


FIG. 6