

DT 型脱硫泵

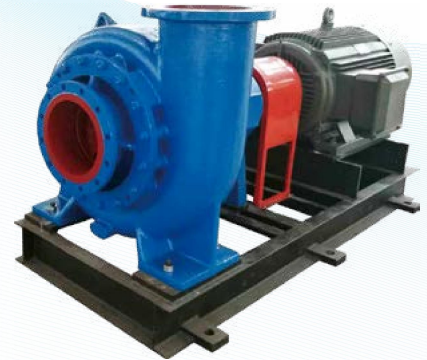
DT SeriG DGulfurization Pump

产品特点介绍

Product features

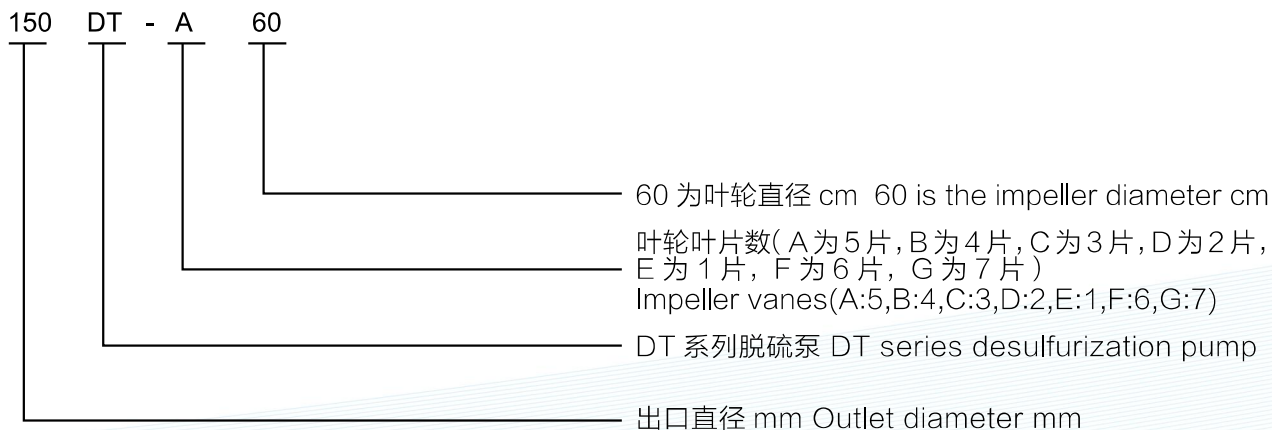
DT 系列脱硫循环泵为卧式、轴向吸入、单级、单吸、悬架、后抽式、单壳体结构。该系列泵在水力设计、结构设计方面，综合了国内外同类产品的优点并加以创新，过流部件采用了自行研制的特殊材料 GLH-5、GLH-6，具有高效节能、耐腐抗磨、振动小、噪声低、运行可靠、轴封无泄漏、使用寿命长、维修方便等特点，泵的综合性能居国内领先水平。适用于火力发电、钢厂烧结、炼铝和炼油等行业的脱硫系统输送石灰石或石膏浆液。其允许输送的浆液氯离子含量最高 20000ppm，pH 值在 4.5 ~ 12 之间，浆液温度 $\leq 65^{\circ}\text{C}$ ，浆液重量浓度 Cw 最高 60%。型号有 1000DT、900DT、800DT、700DT、650DT、600DT、600DT、550DT、500DT、450DT、400DT、350DT、300DT、250DT、200DT，适合在流量 300m³/h ~ 18300 m³/h，扬程 6m ~ 54m 工况条件下运行，共 40 多种泵型。

DT series desulphurization circulating pump is horizontal, axial suction, single stage, single suction, suspension, after pumping, single shell structure. This series of pump in hydraulic design, structural design, taking advantages of similar products at home and abroad and innovation, and flow components developed by using the special material GLH - 5, GLH - 6, with high efficiency and energy saving, corrosion resistance to abrasion, small vibration, low noise, reliable running, shaft seal, no leakage, long service life, maintenance is convenient wait for a characteristic, The comprehensive performance of the pump is leading in China. Suitable for conveying limestone or gypsum slurry in desulfurization system of thermal power generation, steel sintering, aluminum smelting and oil refining industries. The maximum chloride ion content of the slurry allowed to be transported is 20000ppm, the pH value is between 4.5 and 12, the slurry temperature is $\leq 65^{\circ}\text{C}$, and the maximum weight concentration of the slurry Cw is 60%. Models are 1000DT, 900DT, 800DT, 700DT, 650DT, 600DT, 600DT, 550DT, 500DT, 450DT, 400DT, 350DT, 300DT, 250DT, 200DT, suitable for flow of 300m³/h ~ 18300 m³/h, Under the working condition of 6m ~ 54m head, there are more than 40 kinds of pump types.



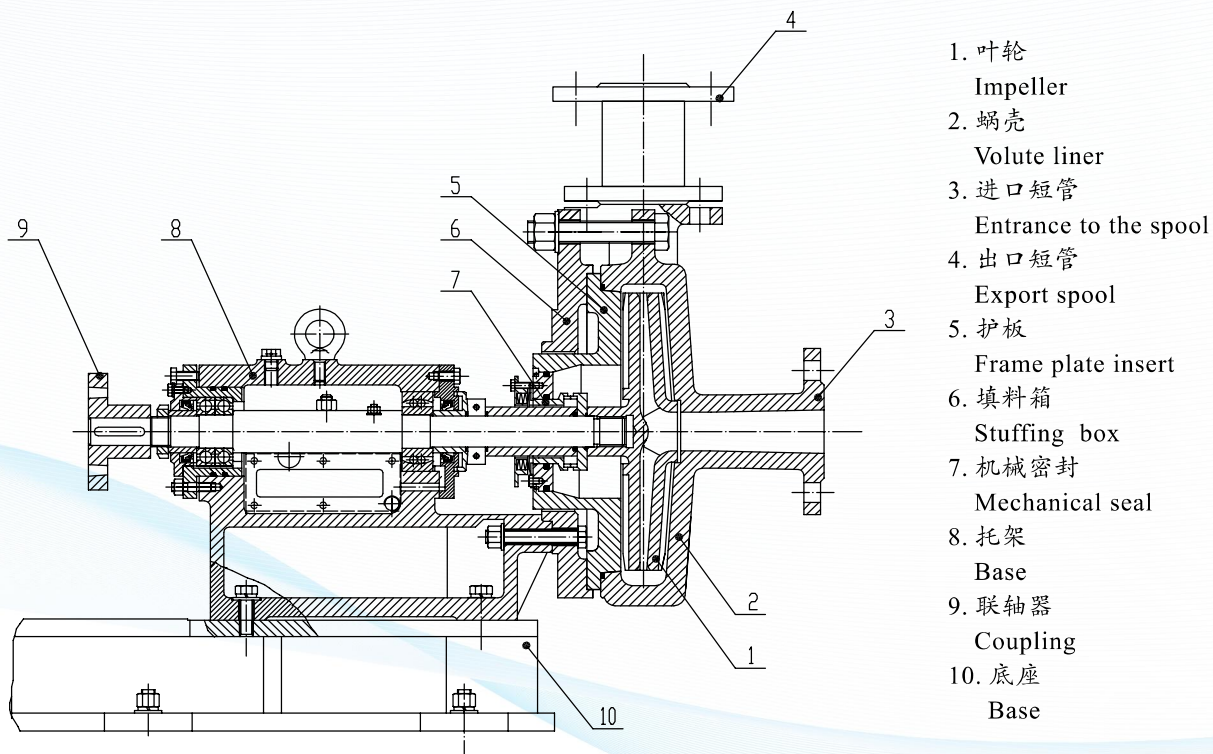
型号意义

Model Significance



结构分解图

Structural breakdown



DT 性能表

型号 TYPE	允许配带最大功率 Allowable Max. Power (kw)	清水性能 Clean water performance				叶轮 Impeller			重量 Weight (kg)	口径 Dia. of pump		外形尺寸 长×宽×高 Overall dimensions L×W×H (mm)
		流量 Capacity Q(m ³ /h)	扬程 Head H(m)	转速 Speed n(r/min)	最高效率 Max. Eff. η (%)	汽蚀余量 NPSH (m)	叶片数 Impeller NO.	叶轮直径 Impeller Dia. (mm)		可通过最大 粒径 Max. particle size (mm)	入口 Inlet (mm)	
600DT-A82	500	3300	27.8	595	72.8	3.0	5	820	152	4900	600	1363×1700×1975
		4700	24.7		88.3	3.7						
		5300	21.7		86.3	4.0						
		5600	20.4		84.5	4.0						
		2718	18.9		72.8	2.2						
300DT-A60	400	3871	16.8	490	88.3	2.8	5	600	96	2790	350	2052×1200×1558
		4365	14.7		86.3	3.0						
		4612	13.8		84.5	3.0						
		1170	53.1		71.8	8.4						
		1779	47.1		81.1	8.4						
200DT-B45	90	2403	36.1	742	75.4	8.4	5	450	51	1750	250	1215×760×920
		878	29.9		71.8	4.3						
		1335	26.5		81.1	4.3						
		1803	20.3		75.4	4.3						
		276	30.4		62.9	3.3						
150DT-A60	450	551	25.6	730	80.8	3.3	5	600	39	1657	200	1441×950×1050
		638	22.8		77.8	3.3						
		206	16.9		62.9	2.0						
		410	14.2		80.8	2.0						
		475	12.7		77.8	2.0						
150DT-B55	132	329	150.0	1480	57.9	7.5	4	550	56	1540	150	1320×626×1117
		576	136.3		69.4	7.5						
		704	129.1		70.7	7.5						
		218	65.8		57.9	3.4						
		381	59.8		69.4	3.4						
150DT-A50	55	466	56.6	730	70.7	3.4	5	500	30	1470	200	1260×760×1065
		162	36.5		57.9	2.1						
		284	33.2		69.4	2.1						
		347	31.4		70.7	2.1						
		280	53.7		63.2	3.7						
150DT-B65	132	517	48.0	990	76.5	3.7	4	500	56	1540	150	1320×626×1117
		630	45.9		78.1	3.7						
		209	30.0		63.2	2.3						
		387	26.8		76.5	2.3						
		471	25.7		78.1	2.3						
150DT-A50	55	123	44.6	980	54.1	3.5	5	500	30	1470	200	1260×760×1065
		221	40.1		65.4	3.5						
		279	37.2		65.2	3.5						
		92	24.7		54.1	2.1						
		165	22.3		65.4	2.1						
208	20.6	65.2	2.1									

型号 TYPE	允许配置最大功率 Allowable Max. Power (kw)	清水性能 Clean water performance				叶轮 Impeller		轴功率 Shaft Power (KW)	配套电机 Mating motor	重量 Weight (kg)	口径 Dia. of pump		外形尺寸 长×宽×高 Overall dimensions L×W×H (mm)
		流量 Capacity Q(m ³ /h)	扬程 Head H(m)	转速 Speed n(r/min)	最高效率 Max. Eff. η (%)	汽蚀余量 NPSH (m)	叶片数 Impeller NO.				叶轮直径 Impeller Dia. (mm)	可通过最大 粒径 Max. particle size (mm)	
150DT-A40	132	260	61.2	1490	63.0	6.5	5	40	4-90KW 4-110KW 4-110KW	830	200	150	1146×760×978
		440	53.8	73.1	6.5								
		503	50.7	72.8	6.5								
100DT-A60	220	171	26.5	980	63.0	2.6	5	18	6-30KW 6-37KW 6-37KW	830	200	150	1146×760×978
		289	23.3	73.1	2.6								
		331	21.9	72.8	2.6								
100DT-A45	90	152	147.0	1490	45.6	4.9	5	22	4-160KW 4-200KW 4-220KW	890	150	100	1327×822×1090
		256	138.5	56.5	4.9								
		305	131.7	57.9	4.9								
100DT-A45B	90	101	64.9	990	45.6	2.4	5	24	6-45KW 6-75KW 6-75KW	890	150	100	1327×822×1090
		170	61.2	56.5	2.4								
		203	58.1	57.9	2.4								
100DT-B45C	90	100	83.5	1480	49.0	4.6	5	18	4-55KW 4-75KW 4-90KW	810	125	100	1154×760×975
		195	71.6	58.7	4.6								
		228	66.1	57.5	4.6								
100DT-B40	75	66	36.6	980	49.0	2.2	5	26	6-18.5KW 6-30KW 6-30KW	800	125	100	850×760×905
		129	31.4	58.7	2.2								
		151	29.0	57.5	2.2								
100DT-B38CS	90	88	76.4	1480	42.0	6.0	4	18	4-55KW 4-75KW 4-90KW	1290	150	100	1168×760×943
		166	65.2	51.8	6.0								
		219	54.3	48.7	6.0								
100DT-B45C	90	57	32.8	970	42.0	2.4	5	29	6-18.5KW 6-22KW 6-30KW	800	125	100	850×760×905
		109	28.0	51.8	2.4								
		144	23.3	48.7	2.4								
100DT-B40	75	112	66.6	1480	40.9	7.5	4	18	4-75KW 4-90KW 4-90KW	1290	150	100	1168×760×943
		198	62.3	53.2	7.5								
		233	58.7	53.6	7.5								
100DT-B45C	90	74	29.2	980	40.9	3.6	4	26	6-18.5KW 6-22KW 6-30KW	1290	150	100	850×760×905
		131	27.3	53.2	3.6								
		154	25.7	53.6	3.6								
100DT-B40	75	129	61.0	1480	56.9	3.5	4	29	4-45KW 4-75KW 4-75KW	620	150	100	1168×760×943
		219	56.1	68.7	3.5								
		268	53.6	70.4	3.5								
100DT-B40	75	85	26.2	970	56.9	1.7	4	18	6-15KW 6-22KW 6-22KW	620	150	100	1168×760×943
		144	24.1	68.7	1.7								
		176	23.0	70.4	1.7								
100DT-B38CS	90	85	94.1	1480	45.8	7.1	4	18	4-55KW 4-75KW 4-90KW	1420	125	100	1168×760×943
		136	90.7	56.0	7.1								
		171	82.9	58.7	7.1								
100DT-B38CS	90	56	40.4	970	45.8	3.4	4	18	6-18.5KW 6-22KW 6-30KW	1420	125	100	1168×760×943
		89	39.0	56.0	3.4								
		112	35.6	58.7	3.4								

型号 TYPE	允许携带最大功率 Allowable Max. Power (kw)	清水性能 Clean water performance					叶轮 Impeller			轴功率 Shaft Power (KW)	配套电机 Mating motor	重量 Weight (kg)	口径 Dia.of pump		外形尺寸 长×宽×高 Overall dimensions L×W×H (mm)
		流量 Capacity Q(m ³ /h)	扬程 Head H(m)	转速 Speed n(r/min)	最高效率 Max.Eff. η(%)	汽蚀余量 NPSH (m)	叶片数 Impeller NO.	叶轮直径 Impeller Dia. (mm)	可通过最大 颗粒 Max. particle size (mm)				入口 Inlet (mm)	出口 Outlet (mm)	
100DT-A35	75	163	45.9	1480	60.9	4.1	5	350	42	33.5	4-45KW	550	150	100	1146×760×933
		278	41.5	1480	70.9	4.1				43.7	4-55KW				
		323	39.2	1480	73.2	4.1				47.1	4-55KW				
		107	19.7	970	60.9	1.9				9.4	6-15KW				
		182	17.8	970	70.9	1.9				12.3	6-18.5KW				
212	16.8	970	73.2	1.9	13.3	6-18.5KW									
80DT-A36	37	86	47.1	1480	47.4	3.2	5	360	16	232.3	4-30KW	480	100	80	1099×760×940
		151	42.0	1480	60.7	3.2				28.5	4-37KW				
		167	39.9	1480	62.0	3.2				29.3	4-37KW				
		56	20.2	970	47.4	1.5				6.5	6-11KW				
		99	18.0	970	60.7	1.5				8.0	6-11KW				
109	17.1	970	62.0	1.5	8.2	6-11KW									
65DT-A40	55	71	63.2	1480	46.7	4.5	5	400	16	26.2	4-37KW	490	100	65	1106×760×912
		141	57.5	1480	62.1	4.5				35.6	4-45KW				
		159	54.6	1480	62.1	4.5				38.1	4-45KW				
		47	27.1	970	46.7	2.1				7.4	6-11KW				
		92	24.7	970	62.1	2.1				10.0	6-15KW				
104	23.5	970	62.1	2.1	10.7	6-15KW									
65DT-A30	22	44	35.6	1480	46.7	4.6	5	300	19	9.1	4-15KW	260	100	65	975×650×817
		79	32.6	1480	54.6	4.6				12.8	4-18.5KW				
		99	30.7	1480	53.8	4.6				15.4	4-22KW				
		29	15.2	970	46.7	2.2				2.6	6-5.5KW				
		51	13.9	970	54.6	2.2				3.5	6-5.5KW				
64	13.1	970	53.8	2.2	4.2	6-5.5KW									
50DT-D40	30	33	51.7	1480	35.4	2.5	2	400	10	13.1	4-18.5KW	320	80	50	834×650×715
		68	43.4	1480	45.1	2.5				18.7	4-30KW				
		76	40.8	1480	44.7	2.5				18.9	4-30KW				
		22	22.5	970	35.4	1.2				3.8	6-5.5KW				
		45	18.9	970	45.1	1.2				5.1	6-7.5KW				
50	17.7	970	44.7	1.2	5.4	6-7.5KW									
50DT-A30	18.5	34	36.3	1480	43.1	1.6	5	300	16	7.8	4-11KW	210	80	50	900×650×735
		55	31.9	1480	48.5	1.6				9.9	4-15KW				
		78	26.4	1480	45.4	1.6				12.4	4-18.5KW				
		22	15.7	970	43.1	0.8				2.2	6-4KW				
		36	13.8	970	48.5	0.8				2.8	6-5.5KW				
51	11.4	970	45.4	0.8	3.5	6-5.5KW									
40DT-A25	45	35.5	88.6	2950	41.3	2.6	5	250	9	20.7	2-30KW	185	65	40	818×650×615
		58.8	73.5	2950	42.5	2.6				27.7	2-37KW				
		74.7	60.8	2950	39.6	2.6				31.2	2-37KW				
		17.3	21.1	1440	41.3	2.6				2.4	4-4KW				
		28.7	17.5	1440	42.5	2.6				3.2	4-5.5KW				
36.5	14.5	1440	39.6	2.6	3.6	4-5.5KW									

型号 TYPE	允许配置最大功率 Allowable Max. Power (kw)	清水性能 Clean water performance					叶轮 Impeller			轴功率 Shaft Power (KW)	配套电机 Mating motor	重量 Weight (kg)	口径 Dia. of pump		外形尺寸 长×宽×高 Overall dimensions L×W×H (mm)
		流量 Capacity Q(m ³ /h)	扬程 Head H(m)	转速 Speed n(r/min)	最高效率 Max. Eff. η (%)	汽蚀余量 NPSH (m)	叶片数 Impeller NO.	叶轮直径 Impeller Dia. (mm)	可通过最大 粒径 Max. particle size (mm)				入口 Inlet (mm)	出口 Outlet (mm)	
40DT-B20	15	16.6	57.5	2930	40.9	3.5	4		7	6.4	2-11KW 2-15KW 2-15KW	160	50	40	593×450×430
		33.3	49.9		53.0	3.5				8.5					
		37.1	47.1		52.0	3.5				9.2					
25DT-A25	4	8.1	13.7	1430	40.9	0.9	4		5	0.7	4-1.5KW 4-2.2KW 4-2.2KW	160	50	40	593×450×430
		16.3	11.9		53.0	0.9				1.0					
		18.1	11.2		52.0	0.9				1.4					
		9.6	21.6	1440	33.2	7.1	5		5	1.7	4-3KW 4-4KW 4-4KW	107	39	25	650×340×475
		17.8	16.6		38.0	7.2				2.1					
		19.9	13.9		33.8	7.1				2.2					
6.0	8.6	910	33.2	3.3	5		5	0.4	6-0.75KW 6-1.1KW 6-1.1KW	107	39	25	650×340×475		
11.2	6.6		38.0	3.3				0.5							
12.5	5.5		33.8	3.3				0.6							
25DT-A15	5.5	9.2	34.4	2900	32.7	5.3	5		8	2.6	2-5.5KW 2-5.5KW 2-5.5KW	89	40	25	585×260×400
		17.1	29.5		41.8	5.3				3.3					
		19.3	27.1		40.8	5.3				3.5					
4.4	7.9	1390	32.7	1.3	5		5	0.3	4-0.55KW 4-0.75KW 4-0.75KW	89	40	25	585×260×400		
8.2	6.8		41.8	1.3				0.4							
9.3	6.2		40.8	1.3				0.4							

DT 型脱硫酸泵安装尺寸图

DT Installation dimension drawing

型号 Type	L	L ₁	L ₂	L ₃	L ₄	L ₅	L ₆	L ₇	L ₈	L ₉	L ₁₀	B	H ₁	H ₂	N-Φ1 N-Φ2	d ₁ d ₄	d ₂ d ₅	d ₃ d ₆	δ 1 δ 2	n-Φd ₁	n-Φd ₂	法兰连接 Flange Connect
900DT-F110	2372	600		1099			710	950	140	945	1185	1095	1410	1080	24-Φ33 28-Φ33	Φ800 Φ900	Φ950 Φ1050	Φ1050 Φ1115	45 50			2
800DT-A90	2312	600	500	1055	130	260	750	750	125	950	950	865	1200	950	24-Φ30 24-Φ33	Φ700 Φ800	Φ840 Φ950	Φ895 Φ1015	50 50	4-Φ26		2
700DT-A90	2226	550		1019	120		765	765		940	940	770	1100	720	24-Φ30 24-Φ30	Φ700 Φ700	Φ840 Φ840	Φ895 Φ895		8-Φ40		2
700DT-F78	1858	470		905					100			795	1050	800	24-Φ30 24-Φ30	Φ650 Φ700	Φ780 Φ840	Φ835 Φ895	43 43			2
600DT-A82	1808	445	300	880	85	250	625	625		800	800	715	950	750	20-Φ30 20-Φ30	Φ600 Φ600	Φ725 Φ780	Φ780 Φ780				2
500DT-A76	1664	450	260	755	80	240	465	465	90			560	770	700	20-Φ26 20-Φ26	Φ500 Φ500	Φ620 Φ620	Φ670 Φ670	38 38	8-Φ35 8-Φ40	4-Φ20	2
500DT-A70	1747	380	270	885	85	250	450	450	100	600	600	538	750	660								2
400DT-A65	1639	425	260	755	80	240	465	465	90			515	720	600	16-Φ26 16-Φ26	Φ400 Φ400	Φ515 Φ515	Φ565 Φ565	32	8-Φ35		2

