

# ZJ 系列渣浆泵

## ZJ series slurry pump

### 产品特点介绍

### Product features

随着杂质泵技术的发展和完善，我公司结合用户反馈经验，利用现代流体力学的理论、现代机械理论、电脑软件设计技术；我公司推出了 ZJ 系列渣浆泵，该系列渣浆泵具有型号全、性能工况覆盖广、选型方便等特点。

With the development and improvement of impurity pump technology, our company combines the feedback experience of users and uses the theory of modern fluid mechanics, modern mechanical theory and computer software design technology; Our company has launched ZJ series slurry pump, which has the characteristics of complete model, wide coverage of performance and working conditions, convenient selection and so on



本系列产品设计为单级、单吸、离心式卧式渣浆泵。卧式泵按出口直径分为 350mm、300mm、250mm、200mm、150mm、100mm、80mm、65mm、50mm、40mm 等多种规格；每种规格口径的泵根据扬程需要有不同的叶轮直径供选择。

This series of products are designed as single-stage, single suction, centrifugal horizontal slurry pump. According to the outlet diameter, the horizontal pump is divided into 350mm, 300mm, 250mm, 200mm, 150mm, 100mm, 80mm, 65mm, 50mm, 40mm and other specifications; The pump of each specification and diameter has different impeller diameters for selection according to the head requirements.

该系列渣浆泵在水力设计、结构设计等方面有创新，过流部件采用了自行研制的抗磨蚀的高铬耐磨合金铸铁制造，具有效率高、节能、使用寿命长、重量轻、结构合理、运行可靠、振动小、噪音低、维修方便等显著特点。

This series of slurry pumps are innovative in hydraulic design and structural design. The flow passage parts are made of self-developed abrasion resistant high chromium wear-resistant alloy cast iron, which has the remarkable characteristics of high efficiency, energy saving, long service life, light weight, reasonable structure, reliable operation, low vibration, low noise and convenient maintenance.

泵体采用双泵壳结构，方便更换过流部件；根据压力需要外泵壳采用球墨铸铁或灰铸铁，内泵壳采用高铬抗磨白口铸铁或铸钢。

The pump body adopts double pump shell structure to facilitate the replacement of overflow parts; According to the pressure requirements, the outer pump shell adopts nodular cast iron or gray cast iron, and the inner pump shell adopts high chromium wear-resistant white cast iron or cast steel.

适用范围：ZJ系列渣浆泵主要适用于电力、冶金、煤炭、建材、化工等工业行业，主要是用来输送含有固体颗粒的磨蚀性浆体，如选矿厂处理精矿和尾矿、电厂除灰渣、选煤厂输送煤泥和重介选煤、海岸河道采矿作业输送矿浆等。其所能处理浆体的最大重量浓度为：灰浆 45%，矿浆 60%；根据用户需要可串联进行运行。

Scope of application: ZJ series slurry pump is mainly applicable to electric power, metallurgy, coal, building materials, chemical and other industrial industries. It is mainly used to transport abrasive slurry containing solid particles, such as concentrate and tailings treatment in concentrator, ash removal in power plant, slime and dense medium coal preparation in coal preparation plant, slurry transportation in coastal river mining operation, etc. The maximum weight concentration of slurry that can be treated is: mortar 45%, pulp 60%; It can be operated in series according to the needs of users.

密封形式：ZJ系列渣浆泵可以采用副叶轮加填料组合式密封和机械密封两种轴封形式。

Seal form: ZJ series slurry pump can adopt two shaft seal forms: auxiliary impeller and packing combined seal and mechanical seal.





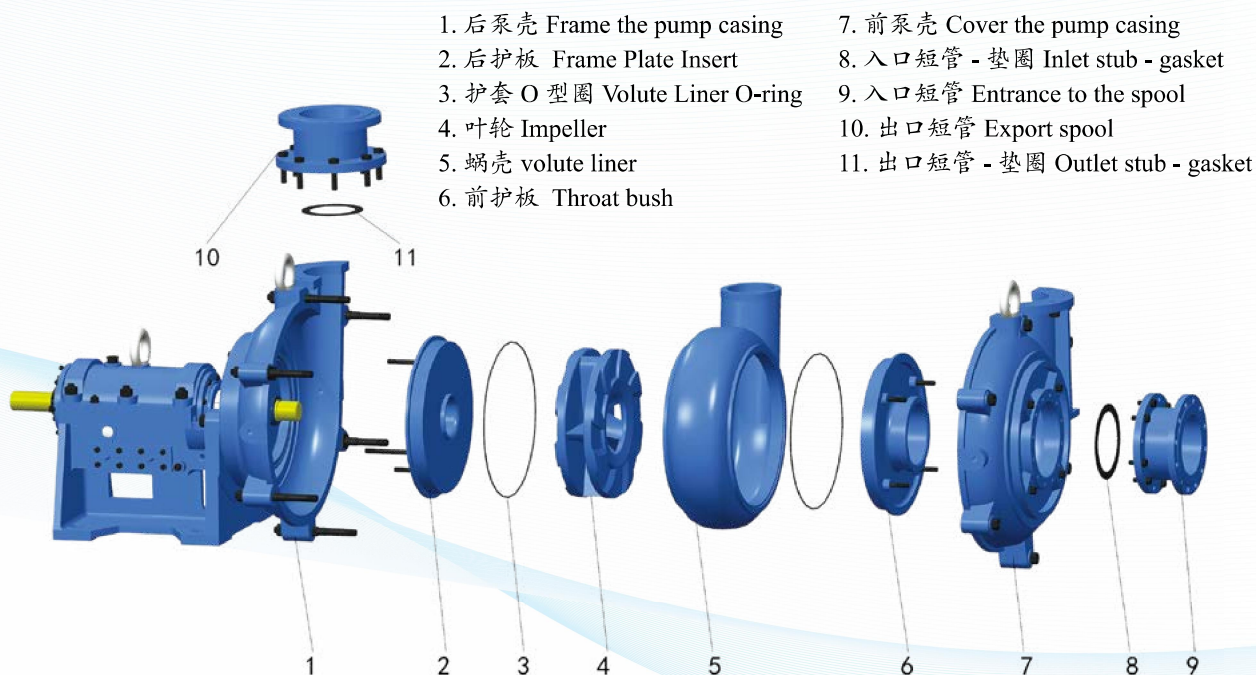
## 型号意义

## Model Significance



## 结构分解图

## Structural breakdown



# ZJ 性能表

型号 TYPE	允许配带最大功率 Allowable Max. Power (kw)	清水性能 Clean water performance				叶轮 Impeller			重量 Weight (kg)	口径 Dia. of pump		外形尺寸 长×宽×高 Overall dimensions L×W×H (mm)
		流量 Capacity Q(m <sup>3</sup> /h)	扬程 Head H(m)	转速 Speed n(r/min)	最高效率 Max. Eff. $\eta$ (%)	汽蚀余量 NPSH (m)	叶片数 Impeller NO.	叶轮直径 Impeller Dia. (mm)		可通过最大 颗粒 Max. particle size (mm)	入口 Inlet (mm)	
350ZJ-HF100	560	1035	62.8		60.4	5.8	1000	96	5465	450	350	2225×1190×2108
		1988	59.4	590	77.0							
		2339	55.0	490	76.9							
		162										
350XH-78	450	860	43.3		60.4	4.4	1000	96	5465	450	350	2225×1190×2108
		1651	41.0	490	77.0							
		1943	37.9	730	76.9							
		1314	49.8	590	64.0							
300ZJ-HA100	450	2398	43.3		78.0	3.5	780	96	3700	450	350	582×1110×1500
		2826	38.6	730	75.6							
		1062	32.5	590	64.0							
		1938	28.3	490	75.6							
300ZJ-HA95	450	2284	25.2		66.7	4.1	1000	88	5265	400	300	2208×1190×2058
		913	65.2	590	80.4							
		1785	59.7	490	80.7							
		1826	59.3	590	66.7							
300ZJ-HA95	450	758	45.0		66.7	3.0	1000	88	5265	400	300	2208×1190×2058
		1482	41.2	490	80.4							
		1517	40.9	590	209.4							
		867	58.8	590	217.9							
300ZJ-HA90	560	1696	53.9		77.4	4.1	950	88	5220	400	300	2208×1190×2058
		1735	53.5	490	77.7							
		720	40.6	590	63.7							
		1408	37.2	490	77.4							
300ZJ-HA85	450	1441	36.9		77.7	3.0	950	88	5220	400	300	2208×1190×2058
		922	79.9	730	69.1							
		1648	73.6	590	80.5							
		1844	70.7	490	81.4							
300ZJ-HA85	450	745	52.2		69.1	5.7	900	85	5005	350	300	2151×1200×1988
		1332	48.1	730	80.5							
		1490	46.2	590	81.4							
		871	71.3	490	66.1							
300ZJ-HA85	450	1556	65.6		77.5	3.9	850	85	4965	350	300	2151×1200×1988
		1742	63.1	730	78.4							
		704	46.6	590	66.1							
		1258	42.9	490	77.5							
300ZJ-HA85	450	1408	41.2		78.4	3.8	850	85	4965	350	300	2151×1200×1988
				590	201.5							



型号 TYPE	允许配带最大功率 Allowable Max. Power (kw)	清水性能 Clean water performance					叶轮 Impeller			重量 Weight (kg)	口径 Dia.ofpump		外形尺寸 长×宽×高 Overall dimensions L×W×H (mm)	
		流量 Capacity Q(m <sup>3</sup> /h)	扬程 Head H(m)	转速 Speed n(r/min)	最高效率 Max.Eff. $\eta$ (%)	汽蚀余量 NPSH (m)	叶片数 Impeller NO.	叶轮直径 Impeller Dia. (mm)	可通过最大 粒径 Max. particle size (mm)		轴功率 Shaft Power (KW)	配套电机 Matingmotor		入口 Inlet (mm)
300ZJ-I-A70	630	1269	76.8	980	72.0	7.0	5	700	92	368.6	6-450KW	350	300	1931×1200×1568
		2118	66.7	80.0	80.4					480.9	6-630KW			
		2333	64	80.4						505.8	6-630KW			
300ZJ-I-A65	560	945	42.6	730	72.0	3.9	5	700	92	152.3	8-185KW	350	300	1931×1200×1568
		1578	37	80.0	80.4					198.8	8-250KW			
		1738	35.5	80.4						209.0	8-250KW			
300ZJ-I-A56	250	1178	66.2	980	69.0	6.6	5	650	92	307.8	6-400KW	350	300	1931×1200×1568
		1967	57.5	77.0	77.4					400.0	6-500KW			
		2166	55.2	77.4						420.7	6-500KW			
300ZJ-I-A56	250	877	36.7	730	69.0	3.7	5	650	92	127.0	8-160KW	350	300	1931×1200×1568
		1465	31.9	77.0	77.4					165.3	8-200KW			
		1614	30.6	77.4						173.8	8-220KW			
300ZJ-I-A56	250	789	46	980	66.5	5.5	5	560	96	148.6	6-185KW	350	300	1931×1200×1568
		1415	40.8	80.4	80.9					195.6	6-250KW			
		1568	38.8	80.9						204.8	6-250KW			
250ZJ-I-A103	560	588	25.5	730	66.5	3.5	5	560	96	61.4	8-75KW	350	300	2135×1200×2008
		1054	22.6	80.4	80.9					80.7	8-110KW			
		1168	21.5	80.9						84.5	8-110KW			
250ZJ-I-A96	560	734	110.5	730	60.3	4.3	5	1030	69	366.3	8-450KW	300	250	2135×1200×2008
		1067	106.7	69.6	74.5					445.5	8-560KW			
		1573	98.9	74.5						568.7	8-710KW			
250ZJ-I-A96	560	593	72.2	590	60.3	2.8	5	1030	69	193.4	10-250KW	300	250	2135×1200×2008
		862	69.7	69.6	74.5					235.1	10-280KW			
		1271	64.6	74.5						300.1	10-355KW			
250ZJ-I-A96	560	736	93.7	730	64.6	5.5	5	960	69	290.7	8-355KW	300	250	2135×1200×2008
		1076	90	74.0	77.8					356.4	8-450KW			
		1466	84.5	77.8						433.6	8-560KW			
250ZJ-I-A90	450	595	61.2	590	64.6	3.5	5	960	69	153.5	10-185KW	300	250	2135×1200×2008
		870	58.8	74.0	77.8					188.3	10-250KW			
		1185	55.2	77.8						229.0	10-280KW			
250ZJ-I-A90	450	690	82.4	730	60.6	5.3	5	900	69	255.5	8-315KW	300	250	2135×1200×2008
		1009	79.1	70.0	73.8					310.5	8-400KW			
		1374	74.3	73.8						376.7	8-450KW			
250ZJ-I-A85	800	558	53.8	590	60.6	3.4	5	900	69	134.9	10-160KW	300	250	2135×1200×1798
		816	51.7	70.0	73.8					164.1	10-200KW			
		1111	48.5	73.8						198.8	10-250KW			
250ZJ-I-A85	800	752	128.7	980	59.1	5.5	5	850	76	446.0	6-560KW	300	250	2135×1200×1798
		1248	124.4	72.0	75.6					587.2	6-710KW			
		1504	120.4	75.6						652.3	6-800KW			
250ZJ-I-A85	800	560	71.4	730	59.1	3.5	5	850	76	184.2	8-220KW	300	250	2135×1200×1798
		930	69.0	72.0	75.6					242.7	8-315KW			
		1120	66.8	75.6						268.5	8-315KW			

型号 TYPE	允许配带最大功率 Allowable Max. Power (kw)	清水性能 Clean water performance				叶轮 Impeller			重量 Weight (kg)	口径 Dia.of pump		外形尺寸 长×宽×高 Overall dimensions L×W×H (mm)
		流量 Capacity Q(m <sup>3</sup> /h)	扬程 Head H(m)	转速 Speed n(r/min)	最高效率 Max.Eff. η(%)	汽蚀余量 NPSH (m)	叶片数 Impeller. NO.	叶轮直径 Impeller. Dia. (mm)		可通过最大 粒径 Max. particle size (mm)	入口 Inlet (mm)	
250ZJ-I-A83	800	734	122.7	980	58.1	5.5	5	830	76	300	250	2135×1200×1798
		1219	118.6	980	71.0	5.5	5	830	76	300	250	2135×1200×1798
		1469	114.8	980	74.6	5.5	5	830	76	300	250	2135×1200×1798
		547	68.1	730	58.1	3.5	5	830	76	300	250	2135×1200×1798
250ZJ-I-A80	710	908	65.8	730	71.0	3.5	5	830	76	300	250	2135×1200×1798
		1094	63.7	730	74.6	3.5	5	830	76	300	250	2135×1200×1798
		708	114	980	56.1	5.4	5	800	76	300	250	2135×1200×1798
		1175	110.2	980	69.0	5.4	5	800	76	300	250	2135×1200×1798
250ZJ-I-A78	630	1416	106.7	730	72.6	3.4	5	800	76	300	250	2135×1200×1798
		527	63.2	730	56.1	3.4	5	800	76	300	250	2135×1200×1798
		875	61.1	730	69.0	3.4	5	800	76	300	250	2135×1200×1798
		1054	59.2	730	72.6	3.4	5	800	76	300	250	2135×1200×1798
250ZJ-I-A75	560	830	102.5	980	61.8	6.3	5	780	76	300	250	1951×1200×1628
		1430	92.1	980	71.6	6.3	5	780	76	300	250	1951×1200×1628
		1796	84.2	980	73.6	6.3	5	780	76	300	250	1951×1200×1628
		618	56.9	730	61.8	3.2	5	780	76	300	250	1951×1200×1628
250ZJ-I-A73	500	1065	51.1	730	71.6	3.2	5	780	76	300	250	1951×1200×1628
		1338	46.7	730	73.6	3.2	5	780	76	300	250	1951×1200×1628
		600	97.5	980	62.3	4.1	5	750	72	300	250	1913×1200×1628
		1100	92.0	980	76.0	4.1	5	750	72	300	250	1913×1200×1628
250ZJ-I-A70	450	1480	83.2	730	75.6	3.0	5	750	72	300	250	1951×1200×1628
		447	54.1	730	62.3	3.0	5	750	72	300	250	1951×1200×1628
		819	51	730	76.0	3.0	5	750	72	300	250	1951×1200×1628
		1102	46.2	730	75.6	3.0	5	750	72	300	250	1951×1200×1628
250ZJ-I-A68	450	584	92.4	980	61.3	4.1	5	730	72	300	250	1951×1200×1628
		1071	87.2	980	75.0	4.1	5	730	72	300	250	1951×1200×1628
		1441	78.8	730	74.6	3.0	5	730	72	300	250	1951×1200×1628
		435	51.3	730	61.3	3.0	5	730	72	300	250	1951×1200×1628
250ZJ-I-A68	450	797	48.3	730	75.0	3.0	5	730	72	300	250	1951×1200×1628
		1073	43.8	730	74.6	3.0	5	730	72	300	250	1951×1200×1628
		560	84.9	980	59.3	3.9	5	700	72	300	250	1951×1200×1628
		1027	80.1	980	73.0	3.9	5	700	72	300	250	1951×1200×1628
250ZJ-I-A68	450	1381	72.5	730	72.6	2.9	5	700	72	300	250	1951×1200×1628
		417	47.1	730	59.3	2.9	5	700	72	300	250	1951×1200×1628
		764	44.4	730	73.0	2.9	5	700	72	300	250	1951×1200×1628
		1029	40.2	730	72.6	2.9	5	700	72	300	250	1951×1200×1628
250ZJ-I-A68	450	544	80.1	980	58.3	3.7	5	680	72	300	250	1951×1200×1628
		997	75.6	980	72.0	3.7	5	680	72	300	250	1951×1200×1628
		1342	68.4	980	71.6	3.7	5	680	72	300	250	1951×1200×1628
		405	44.5	730	58.3	2.7	5	680	72	300	250	1951×1200×1628
250ZJ-I-A68	450	743	41.9	730	72.0	2.7	5	680	72	300	250	1951×1200×1628
		999	38	730	71.6	2.7	5	680	72	300	250	1951×1200×1628



型号 TYPE	允许携带最大功率 Allowable Max. Power (kw)	清水性能 Clean water performance				叶轮 Impeller			重量 Weight (kg)	口径 Dia. of pump		外形尺寸 长×宽×高 Overall dimensions L×W×H (mm)			
		流量 Capacity Q(m <sup>3</sup> /h)	扬程 Head H(m)	转速 Speed n(r/min)	最高效率 Max. Eff. $\eta$ (%)	汽蚀余量 NPSH (m)	叶片数 Impeller NO.	叶轮直径 Impeller Dia. (mm)		可通过最大 粒径 Max. particle size (mm)	轴功率 Shaft Power (KW)		配套电机 Mating motor	入口 Inlet (mm)	出口 Outlet (mm)
250ZJ-I-A65	315	597	71	980	64.8	4.5	5	650	72	178.1	6-220KW	300	250	1951×1200×1558	
		970	66.2	75.0	233.2										6-280KW
		1249	61.4	76.9	271.6										6-315KW
250ZJ-I-A63	315	445	39.4	730	64.8	3.0	5	650	72	73.7	8-90KW	300	250	1951×1200×1558	
		723	36.7	75.0	96.3										8-132KW
		930	34.1	76.9	112.3										8-132KW
250ZJ-I-A60	280	579	66.7	980	63.8	4.5	5	630	72	164.8	6-200KW	300	250	1951×1200×1558	
		940	62.2	74.0	215.2										6-250KW
		1211	57.7	75.9	250.7										6-315KW
250ZJ-I-A65	315	431	37	730	63.8	3.0	5	630	72	68.1	8-90KW	300	250	1951×1200×1558	
		701	34.5	74.0	89.0										8-110KW
		901	32	75.9	103.4										8-132KW
250ZJ-I-A60	280	551	60.5	980	61.8	4.2	5	600	72	146.9	6-185KW	300	250	1951×1200×1558	
		895	56.4	72.0	190.9										6-250KW
		1153	52.3	73.9	222.2										6-280KW
200ZJ-I-A65	560	411	33.6	730	61.8	2.8	5	600	72	60.7	8-75KW	300	250	1951×1200×1558	
		667	31.3	72.0	79.0										8-110KW
		858	29.1	73.9	92.0										8-110KW
200ZJ-I-A75	355	441	133.7	980	50.0	5.0	5	850	54	321.1	6-400KW	250	200	2081×1200×1768	
		858	128.2	67.4	437.9										6-560KW
		907	127.9	70.5	448.1										6-560KW
200ZJ-I-A75	355	329	74.2	730	50.0	2.8	5	850	54	133.0	8-160KW	250	200	2081×1200×1768	
		639	71.1	67.4	180.9										8-220KW
		676	71	70.5	185.4										8-220KW
200ZJ-I-A73	355	450	102.9	980	61.4	4.5	5	750	56	205.4	6-250KW	250	200	1753×1120×1438	
		750	95.7	72	271.5										6-355KW
		900	91	72.8	306.4										6-355KW
200ZJ-I-A73	355	335	57.1	730	61.4	3.0	5	750	56	84.8	8-110KW	250	200	1753×1120×1438	
		559	53.1	72	112.3										8-132KW
		670	50.5	72.8	126.6										8-160KW
200ZJ-I-A70	315	438	97.5	980	60.4	4.5	5	730	56	192.5	6-250KW	250	200	1753×1120×1438	
		730	90.7	71.0	254.0										6-315KW
		876	86.2	71.8	286.4										6-355KW
200ZJ-I-A70	315	326	54.1	730	60.4	3.0	5	730	56	79.5	8-110KW	250	200	1753×1120×1438	
		544	50.3	71.0	105.0										8-132KW
		652	47.8	71.8	118.2										8-160KW
200ZJ-I-A70	315	409	86.4	980	55.8	3.8	5	700	56	172.5	6-200KW	250	200	1590×1050×1440	
		738	82.3	71.7	230.7										6-280KW
		976	77.6	75.6	272.8										6-315KW
200ZJ-I-A70	315	305	47.9	730	55.8	2.8	5	700	56	71.3	8-90KW	250	200	1590×1050×1440	
		550	45.7	71.7	95.5										8-132KW
		727	43.1	75.6	112.9										8-132KW

型号 TYPE	允许配带最大功率 Allowable Max. Power (kw)	清水性能 Clean water performance				叶轮 Impeller		轴功率 Shaft Power (KW)	配带电机 Mating motor	重量 Weight (kg)	口径 Dia.of pump		外形尺寸 长×宽×高 Overall dimensions L×W×H (mm)
		流量 Capacity Q(m <sup>3</sup> /h)	扬程 Head H(m)	转速 Speed n(r/min)	最高效率 Max.Eff. η (%)	汽蚀余量 NPSH (m)	叶片数 Impeller NO.				叶轮直径 Impeller, Dia. (mm)	可通过最大 粒径 Max. particle size (mm)	
200ZJ-I-A68	315	397	81.5	980	84.8	3.8	5	680	56	160.8	2453	250	1590×1050×1440
		717	77.7	980	70.7	3.8	5	680	56	214.6			
		948	73.2	730	74.6	2.8	5	680	56	253.3			
		296	45.2	730	84.8	2.8	5	680	56	66.5			
200ZJ-I-A65	250	534	43.1	730	70.7	4.3	5	650	62	88.7	2453	250	1590×1050×1440
		706	40.7	980	74.6	4.3	5	650	62	104.9			
		470	72.0	730	63.2	2.5	5	650	62	145.8			
		820	68.1	980	77.0	4.3	5	650	62	197.5			
200ZJ-I-A63	250	950	65.6	730	79.6	2.5	5	630	62	213.2	2323	250	1590×1000×1338
		350	40.0	980	63.2	2.5	5	630	62	60.3			
		611	37.8	730	77.0	2.5	5	630	62	81.7			
		708	36.4	980	79.6	2.5	5	630	62	88.2			
200ZJ-I-A60	185	456	67.6	980	62.2	4.0	5	600	62	135.0	2311	250	1590×1000×1338
		795	64.0	730	76.0	4.0	5	600	62	182.3			
		921	61.6	980	78.6	4.0	5	600	62	196.6			
		339	37.5	730	62.2	2.5	5	600	62	55.7			
200ZJ-I-A58	185	592	35.5	980	76.0	2.5	5	580	62	75.3	2223	250	1593×1000×1318
		686	34.2	730	78.6	2.5	5	580	62	81.3			
		435	62.0	980	64.4	4.0	5	580	62	114.0			
		740	58.0	730	80.0	4.0	5	580	62	146.1			
200ZJ-I-A58	185	870	55.5	980	82.7	2.5	5	580	62	159.0	2223	250	1593×1000×1318
		324	34.4	730	64.4	2.5	5	580	62	47.1			
		551	32.2	980	80.0	2.5	5	580	62	60.4			
		648	30.8	730	82.7	2.5	5	580	62	65.7			
150ZJ-I-A71	220	421	57.9	980	63.4	4.0	5	710	48	104.7	2263	200	1585×1000×1420
		715	54.2	730	79.0	4.0	5	710	48	133.6			
		841	51.9	980	81.7	4.0	5	710	48	145.5			
		313	32.1	730	63.4	2.5	5	710	48	43.2			
150ZJ-I-A70	185	533	30.1	980	79.0	2.4	5	700	37	55.3	2245	200	1585×1000×1408
		626	28.8	730	81.7	2.4	5	700	37	60.1			
		284	93.8	980	54.2	3.0	5	700	37	133.9			
		486	89.3	730	67.8	3.0	5	700	37	174.3			
150ZJ-I-A70	185	552	87.1	980	69.5	2.4	5	700	37	188.4	2245	200	1585×1000×1408
		212	52.0	730	54.2	2.4	5	700	37	55.4			
		362	49.6	980	67.8	2.4	5	700	37	72.1			
		411	48.3	730	69.5	2.4	5	700	37	77.8			
150ZJ-I-A70	185	186	91.2	980	48.4	3.0	5	700	37	95.4	2245	200	1585×1000×1408
		285	87.1	730	58.4	3.0	5	700	37	115.8			
		401	79.8	980	62.3	3.0	5	700	37	139.9			
		139	50.6	730	48.4	2.0	5	700	37	39.6			
150ZJ-I-A70	185	212	48.3	980	58.4	2.0	5	700	37	47.7	2245	200	1585×1000×1408
		299	44.3	730	62.3	2.0	5	700	37	57.9			



型号 TYPE	允许配置最大功率 Allowable Max. Power (kw)	清水性能 Clean water performance					叶轮 Impeller		轴功率 Shaft Power (KW)	配套电机 Mating motor	重量 Weight (kg)	口径 Dia.of pump		外形尺寸 长×宽×高 Overall dimensions L×W×H (mm)
		流量 Capacity Q(m <sup>3</sup> /h)	扬程 Head H(m)	转速 Speed n(r/min)	最高效率 Max.Eff. η (%)	汽蚀余量 NPSH (m)	叶片数 Impeller NO.	叶轮直径 Impeller Dia. (mm)				可通过最大 粒径 Max. particle size (mm)	入口 Inlet (mm)	
150ZJ-I-A65	200	300	75.7	980	55.2	4.0	5	650	48	6-132KW	2223	200	150	1570×1000×1338
		500	73.0	980	69.0	4.0	5	650	48	6-185KW	2223	200	150	
		600	69.4	980	70.2	4.0	5	650	48	6-220KW	2223	200	150	
150ZJ-I-A63	185	223	42	730	55.2	2.5	5	630	48	8-75KW	2211	200	150	1570×1000×1338
		372	40.5	730	69.0	2.5	5	630	48	8-90KW	2211	200	150	
		447	38.5	730	70.2	2.5	5	630	48	8-90KW	2211	200	150	
150ZJ-I-A60	160	291	71.1	980	54.2	4.0	5	600	48	6-132KW	2203	200	150	1571×1000×1318
		485	68.6	980	68.0	4.0	5	600	48	6-160KW	2203	200	150	
		582	65.2	980	69.2	4.0	5	600	48	6-185KW	2203	200	150	
150ZJ-I-A58	132	216	39.5	730	54.2	2.5	5	580	48	8-55KW	2033	200	150	1571×1000×1318
		361	38	730	68.0	2.5	5	580	48	8-75KW	2033	200	150	
		433	36.2	730	69.2	2.5	5	580	48	8-75KW	2033	200	150	
150ZJ-I-A57	110	270	63.5	980	58.2	3.8	5	570	48	6-110KW	2063	200	150	1571×1000×1318
		470	60.5	980	72.0	3.8	5	570	48	6-132KW	2063	200	150	
		550	58.7	980	74.6	3.8	5	570	48	6-160KW	2063	200	150	
150ZJ-I-A55	110	201	35.2	730	58.2	2.5	5	550	48	8-45KW	2010	200	150	1571×1000×1318
		350	33.6	730	72.0	2.5	5	550	48	8-55KW	2010	200	150	
		410	32.6	730	74.6	2.5	5	550	48	8-75KW	2010	200	150	
150ZJ-I-C58	160	261	59.3	980	57.2	3.8	5	580	48	6-90KW	2033	200	150	1567×1000×1318
		454	56.5	980	71.0	3.8	5	580	48	6-132KW	2033	200	150	
		532	54.9	980	73.6	3.8	5	580	48	6-132KW	2033	200	150	
150ZJ-I-A55	110	194	32.9	730	57.2	2.5	5	550	48	8-37KW	2010	200	150	1571×1000×1318
		338	31.4	730	71.0	2.5	5	550	48	8-55KW	2010	200	150	
		396	30.5	730	73.6	2.5	5	550	48	8-55KW	2010	200	150	
150ZJ-I-A55	110	268	61.0	980	56.6	3.2	3	580	75	6-110KW	2063	200	150	1567×1000×1318
		458	56.0	980	66.2	3.2	3	580	75	6-132KW	2063	200	150	
		596	51.2	980	69.1	3.2	3	580	75	6-160KW	2063	200	150	
150ZJ-I-A55	110	200	33.8	730	56.6	2.0	5	570	32	8-45KW	2023	200	150	1571×1000×1318
		341	31.1	730	66.2	2.0	5	570	32	8-55KW	2023	200	150	
		444	28.4	730	69.1	2.0	5	570	32	8-75KW	2023	200	150	
150ZJ-I-A55	110	190	56.3	980	46.1	2.9	5	570	32	6-90KW	2023	200	150	1571×1000×1318
		301	55.4	980	58.5	2.9	5	570	32	6-110KW	2023	200	150	
		427	52.9	980	66.6	2.9	5	570	32	6-110KW	2023	200	150	
150ZJ-I-A55	110	142	31.2	730	46.1	1.8	5	550	48	8-37KW	2010	200	150	1571×1000×1318
		224	30.7	730	58.5	1.8	5	550	48	8-45KW	2010	200	150	
		318	29.4	730	66.6	1.8	5	550	48	8-55KW	2010	200	150	
150ZJ-I-A55	110	248	53.4	980	55.2	3.5	5	550	48	6-90KW	2010	200	150	1571×1000×1318
		431	50.8	980	69.0	3.5	5	550	48	6-110KW	2010	200	150	
		504	49.3	980	71.6	3.5	5	550	48	6-110KW	2010	200	150	
150ZJ-I-A55	110	184	29.6	730	55.2	2.3	5	550	48	8-37KW	2010	200	150	1571×1000×1318
		321	28.2	730	69.0	2.3	5	550	48	8-45KW	2010	200	150	
		376	27.4	730	71.6	2.3	5	550	48	8-55KW	2010	200	150	

型号 TYPE	允许携带最大功率 Allowable Max. Power (kw)	清水性能 Clean water performance				叶轮 Impeller			轴功率 Shaft Power (KW)	配套电机 Mating motor	重量 Weight (kg)	口径 Dia.of pump		外形尺寸 长×宽×高 Overall dimensions L×W×H (mm)
		流量 Capacity Q(m <sup>3</sup> /h)	扬程 Head H(m)	转速 Speed n(r/min)	最高效率 Max.Eff. $\eta$ (%)	汽蚀余量 NPSH (m)	叶片数 Impeller. NO.	叶轮直径 Impeller. Dia. (mm)				可通过最大 粒径 Max. particle size (mm)	入口 Inlet (mm)	
150ZJ-I-A50	75	230	43.1	980	63.3	3.0	5	500	48	6-55KW	1735	200	200	1351×822×1138
		380	40	980	75.0	3.0	5	500	48	6-75KW	1735	200	200	
		460	37.8	730	76.8	2.5	5	500	48	8-30KW	1728	200	200	
		171	23.9	980	63.3	3.0	5	480	48	8-37KW	1728	200	200	
150ZJ-I-A48	75	283	22.2	730	76.8	2.5	5	500	48	8-37KW	1735	200	200	1351×822×1138
		343	21	980	75.8	3.0	5	480	48	6-55KW	1728	200	200	
		221	39.7	730	62.3	3.0	5	480	48	6-75KW	1728	200	200	
		365	36.9	980	74.0	2.5	5	480	48	8-22KW	1728	200	200	
150ZJ-I-C42	132	442	34.8	730	75.8	2.5	5	480	48	8-30KW	1605	200	200	1345×822×1118
		164	22.0	1480	62.3	4.5	3	420	69	8-30KW	1605	200	200	
		272	20.5	980	74.0	2.2	3	420	69	4-110KW	1475	150	100	
		329	19.4	1480	75.8	4.5	3	420	69	4-132KW	1475	150	100	
100ZJ-I-A50	160	300	62.8	980	64.0	4.5	5	500	34	6-30KW	1475	150	100	1349×822×1088
		450	58.0	980	74.0	2.2	3	420	69	6-37KW	1475	150	100	
		550	54.3	730	76.4	2.2	3	420	69	6-45KW	1475	150	100	
		199	27.5	1480	64.0	4.5	5	500	34	4-110KW	1461	150	100	
100ZJ-I-A46	132	298	25.4	980	68.2	2.5	5	500	34	4-90KW	1461	150	100	1349×822×1088
		364	23.8	1480	76.4	2.5	5	500	34	4-110KW	1461	150	100	
		180	100.2	980	57.3	4.0	5	420	35	6-30KW	1075	150	100	
		300	95.0	1480	68.5	4.0	5	420	35	4-75KW	1075	150	100	
100ZJ-I-A42	90	360	91.6	980	68.2	2.5	5	420	35	4-90KW	1075	150	100	1179×760×978
		119	43.9	980	57.3	2.5	5	420	35	6-22KW	1075	150	100	
		199	41.7	1480	68.5	2.5	5	420	35	6-30KW	1075	150	100	
		238	40.2	980	68.2	2.5	5	420	35	6-30KW	1075	150	100	
100ZJ-I-A39	75	166	84.8	980	55.3	4.2	5	460	34	4-90KW	1064	150	100	1179×760×978
		276	80.4	1480	66.5	4.2	5	460	34	4-110KW	1064	150	100	
		331	77.5	980	66.2	2.3	5	460	34	6-37KW	1064	150	100	
		109	37.2	1480	55.3	2.3	5	460	34	6-37KW	1064	150	100	
100ZJ-I-A42	90	183	35.3	980	66.5	2.3	5	460	34	4-90KW	1075	150	100	1179×760×978
		219	34	1480	66.2	4.0	5	420	35	4-90KW	1075	150	100	
		140	70.8	980	53.8	4.0	5	420	35	6-22KW	1075	150	100	
		245	67.0	1480	68.0	4.0	5	420	35	6-30KW	1075	150	100	
100ZJ-I-A39	75	275	65.5	980	70.4	2.5	5	420	35	4-90KW	1064	150	100	1179×760×978
		93	31.0	980	53.8	2.5	5	420	35	6-22KW	1064	150	100	
		162	29.4	1480	68.0	2.5	5	420	35	6-30KW	1064	150	100	
		182	28.7	980	70.4	2.5	5	420	35	6-30KW	1064	150	100	
100ZJ-I-A39	75	130	61.0	980	51.7	3.8	5	390	35	4-55KW	1064	150	100	1179×760×978
		228	57.8	1480	66.0	3.8	5	390	35	4-75KW	1064	150	100	
		255	56.5	980	68.4	3.8	5	390	35	4-75KW	1064	150	100	
		86	26.7	1480	51.7	2.4	5	390	35	6-18.5KW	1064	150	100	
100ZJ-I-A39	75	150	25.4	980	66.0	2.4	5	390	35	6-22KW	1064	150	100	1179×760×978
		169	24.7	1480	68.4	2.4	5	390	35	6-22KW	1064	150	100	
		86	26.7	980	51.7	2.4	5	390	35	6-30KW	1064	150	100	
		150	25.4	1480	66.0	2.4	5	390	35	6-30KW	1064	150	100	



型号 TYPE	允许配带最大功率 Allowable Max. Power (kw)	清水性能 Clean water performance				叶轮 Impeller			重量 Weight (kg)	口径 Dia.of pump		外形尺寸 长 x 宽 x 高 Overall dimensions L x W x H (mm)
		流量 Capacity Q(m <sup>3</sup> /h)	扬程 Head H(m)	转速 Speed n(r/min)	最高效率 Max.Eff. $\eta$ (%)	汽蚀余量 NPSH (m)	叶片数 Impeller. NO.	叶轮直径 Impeller. Dia. (mm)		可通过最大 粒径 Max. particle size (mm)	入口 Inlet (mm)	
100ZJ-I-B42	90	176	66.8	1480	57.5	5.1	4	420	40	200	100	1179×760×978
		309	60.5	69.5	71.6							
		365	56.9	71.6								
100ZJG-I-B42	75	117	29.3	980	57.5	2.5	4	420	40	200	100	1179×760×978
		205	26.5	69.5	71.6							
		242	24.9	71.6								
		96	70.7	1480	51.9							
		149	63.8	61.0	63.2							
		205	56.3	63.2								
100ZJ-I-A36	55	64	31.0	980	51.9	1.8	4	420	18	150	100	1156×760×978
		99	28.0	61.0	63.2							
		136	24.7	63.2								
		107	49.5	1480	60.7							
		182	45.0	71.0	71.6							
		242	43.4	71.6								
100ZJ-I-A33	45	71	21.7	980	60.7	2.0	5	360	32	150	100	1170×760×958
		121	19.7	71.0	71.6							
		160	19.0	71.6								
		130	41.6	1480	58.7							
		170	37.8	69.0	69.6							
		204	36.5	69.6								
80ZJ-I-A52	160	86	18.2	980	58.7	4.3	5	520	21	125	80	1337×822×1088
		113	16.6	69.0	69.6							
		135	16.0	69.6								
		107	109.8	1480	38.8							
		182	105.5	52.0	56.3							
		242	99.0	56.3								
80ZJ-I-A42	75	71	48.1	980	38.8	2.1	5	520	21	125	80	1337×822×1088
		121	46.3	52.0	56.3							
		160	43.4	56.3								
		130	70.4	1480	59.6							
		170	67.2	65.0	66.7							
		204	64.2	66.7								
80ZJ-I-A39	55	86	30.9	980	59.6	2.5	5	420	24	125	80	1157×760×978
		113	29.5	65.0	66.7							
		135	28.1	66.7								
		121	60.7	1480	57.6							
		158	57.9	63.0	64.7							
		189	55.4	64.7								
80ZJ-I-A39	55	80	26.6	980	57.6	2.4	5	390	24	125	80	1157×760×978
		105	25.4	63.0	64.7							
		125	24.2	64.7								
		101	44.1	1480	41.8							
		11.5	41.1	65.0	66.7							
		12.8	40.1	66.7								

型号 TYPE	允许携带最大功率 Allowable Max. Power (kw)	清水性能 Clean water performance				叶轮 Impeller			轴功率 Shaft Power (KW)	配套电机 Mating motor	重量 Weight (kg)	口径 Dia.of pump		外形尺寸 长×宽×高 Overall dimensions L×W×H (mm)
		流量 Capacity Q(m <sup>3</sup> /h)	扬程 Head H(m)	转速 Speed n(r/min)	最高效率 Max.Eff. η(%)	汽蚀余量 NPSH (m)	叶片数 Impeller. NO.	叶轮直径 Impeller. Dia. (mm)				可通过最大 颗粒 Max. particle size (mm)	入口 Inlet (mm)	
80ZJ-A36	45	98	51.4	1480	58.2	3.7	5	360	24	4-30KW	980	125	80	1156×760×1098
		140	48	1480	66.0	3.7	5	360	24	4-37KW	980	125	80	
		190	42.7	1480	67.7	3.7	5	360	24	4-45KW	980	125	80	
		65	22.5	980	58.2	2.85	5	360	24	6-11KW	980	125	80	
80ZJ-A33	37	93	21	980	66.0	2.85	5	360	24	6-15KW	980	125	80	1156×760×1098
		126	18.7	980	67.7	2.85	5	360	24	6-15KW	980	125	80	
		90	43.2	1480	56.2	3.4	5	330	24	4-30KW	973	125	80	
		128	40.3	1480	64.0	3.4	5	330	24	4-37KW	973	125	80	
65ZJ-A30	15	174	35.9	1480	65.7	2.3	5	330	24	4-37KW	973	125	80	1156×760×1098
		60	18.9	980	56.2	2.3	5	330	24	6-7.5KW	973	125	80	
		85	17.6	980	64.0	2.3	5	330	24	6-11KW	973	125	80	
		116	15.7	980	65.7	2.3	5	330	24	6-11KW	973	125	80	
65ZJ-A27	11	47	34.8	1480	56.2	3.0	5	300	24	4-11KW	504	100	65	976×650×817
		62	33.9	1480	62.0	3.0	5	300	24	4-15KW	504	100	65	
		79	32	1480	63.5	3.0	5	300	24	4-15KW	504	100	65	
		31	15.0	980	56.2	2.0	5	300	24	6-4KW	504	100	65	
65ZJ-A27	11	41	14.7	980	62.0	2.0	5	300	24	6-5.5KW	504	100	65	976×650×817
		52	13.8	980	63.5	2.0	5	300	24	6-5.5KW	504	100	65	
		42	28.2	1480	54.2	2.7	5	270	19	4-11KW	500	100	65	
		56	27.5	1480	60.0	2.7	5	270	19	4-11KW	500	100	65	
50ZJ-A50	90	71	25.9	1480	61.5	1.8	5	270	19	4-11KW	500	100	65	1221×822×1015
		28	12.2	980	54.2	1.8	5	270	19	6-3KW	500	100	65	
		37	11.9	980	60.0	1.8	5	270	19	6-4KW	500	100	65	
		47	11.2	980	61.5	1.8	5	270	19	6-4KW	500	100	65	
50ZJ-A50	90	57	110.7	1480	33.9	3.8	5	500	19	4-75KW	1378	80	50	1221×822×1015
		91	105.5	1480	42.9	3.8	5	500	19	4-90KW	1378	80	50	
		111	99.8	1480	45.1	3.8	5	500	19	4-90KW	1378	80	50	
		38	48.5	980	33.9	3.0	5	500	19	6-22KW	1082	80	50	
50ZJ-A46	55	60	46.3	980	42.9	2.9	5	460	13	6-30KW	1082	80	50	1171×760×993
		74	43.8	980	45.1	2.9	5	460	13	6-30KW	1082	80	50	
		48	85.8	1480	32.2	2.9	5	460	13	4-45KW	1082	80	50	
		77	82.3	1480	41.7	2.9	5	460	13	4-55KW	1082	80	50	
50ZJ-A33	18.5	94	79.9	980	44.7	1.4	5	460	13	4-55KW	1082	80	50	968×650×793
		31	36.9	980	32.2	1.4	5	460	13	6-15KW	537	80	50	
		50	35.4	980	41.7	1.4	5	460	13	6-18.5KW	537	80	50	
		62	34.3	980	44.7	1.4	5	460	13	6-18.5KW	537	80	50	
50ZJ-A33	18.5	26	42.5	1480	32.8	6.0	5	330	14	4-15KW	537	80	50	968×650×793
		40	40.0	1480	40.6	6.0	5	330	14	4-18.5KW	537	80	50	
		54	34.5	1480	41.4	6.0	5	330	14	4-18.5KW	537	80	50	
		17	17.9	980	32.8	2.9	5	330	14	6-4KW	537	80	50	
50ZJ-A33	18.5	26	16.8	980	40.6	2.9	5	330	14	6-5.5KW	537	80	50	968×650×793
		35	14.5	980	41.4	2.9	5	330	14	6-5.5KW	537	80	50	



型号 TYPE	允许配带最大功率 Allowable Max. Power (kw)	清水性能 Clean water performance					叶轮 Impeller			轴功率 Shaft Power (KW)	配套电机 Mating motor	重量 Weight (kg)	口径 Dia. of pump		外形尺寸 长×宽×高 Overall dimensions L×W×H (mm)
		流量 Capacity Q(m <sup>3</sup> /h)	扬程 Head H(m)	转速 Speed n(r/min)	最高效率 Max. Eff. $\eta$ (%)	汽蚀余量 NPSH (m)	叶片数 Impeller NO.	叶轮直径 Impeller Dia. (mm)	可通过最大 粒径 Max. particle size (mm)				入口 Inlet (mm)	出口 Outlet (mm)	
40ZJ-H-A19	15	16.3	57.1	2930	39.2	4.9	5	190	13	6.5	2-11KW	173	56	40	596×450×490
		30.0	54.9		55.4					8.1	2-11KW				
		34.9	53.7		58.8					8.7	2-11KW				
40ZJ-H-A17	7.5	8.0	13.6	1430	39.2	1.3	5	190	13	0.8	4-1.5KW	173	56	40	596×450×490
		14.6	13.1		55.4					0.9	4-2.2KW				
		17.0	12.8		58.8					1.0	4-2.2KW				
40ZJ-H-A17	7.5	198	17.9	2900	33.2	4.5	5	170	11	3.4	2-5.5KW	121	40	40	591×260×450
		332	13.2		49.5					4.2	2-7.5KW				
		364	12.1		52.4					4.8	2-7.5KW				
40ZJ-H-A17	7.5	4.5	10.3	1400	33.2	2.5	5	170	11	0.4	4-0.55KW	121	40	40	591×260×450
		8.6	9.9		49.5					0.5	4-1.1KW				
		11.3	9.1		52.4					0.5	4-1.1KW				